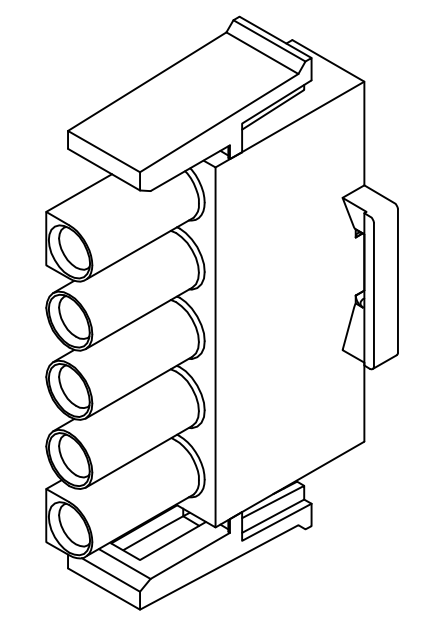


DETAIL A
OPTIONAL CONSTRUCTIONS

- MATES WITH APPROPRIATE UNIVERSA MATE-N-LOK™ CAP OR HEADER.
- SMALL NICKS ARE PERMITTED ON THE CIRCUIT TOWERS WHICH COULD INCREASE THE INITIAL HOUSING MATING FORCE BY UP TO 4.4 NEWTONS [1.0 LBS]. NO INDIVIDUAL NICKED TOWER SHALL INCREASE THIS FORCE BY OVER 2.2 NEWTONS [.5 LBS].
- OPTIONAL: AMP LOGO MAY BE LOCATED ON THIS SURFACE.
- DIMENSION INDICATED IS AS MOLDED. ADDITIONAL GROWTH DUE TO SUBSEQUENT MOISTURE ABSORPTION MAY OCCUR.
- FOUR RIBS EQUALLY SPACED, NO SPECIFIC ORIENTATION. NO RIBS OR SIX RIBS EQUALLY SPACED, NO SPECIFIC ORIENTATION, OPTIONAL.
- UNDERWRITERS RECOGNIZED COMPONENT LOGO AND CSA CERTIFICATION LOGO TO BE LOCATED ONCE EACH ON SIDE OF HOUSING.
- OBSOLETE PARTS: OBSOLETE CIS STREAMLINING PER D.RENAUD/D.SINISI



3-DIMENSIONAL MODEL NTS

33.02	1.300
27.43	1.080
14.73	.580
11.68	.460
7.62	.300
0.38	.015
0.13	.005
MM	IN

CONVERSION TABLE

OBSOLETE	BLACK	480763-9
	GRAY	480763-8
	BLUE	480763-6
	GREEN	480763-5
	YELLOW	480763-4
	ORANGE	480763-3
	RED	480763-2
	BROWN	480763-1
	NATURAL	1-480763-0
	COLOR	PART NO.

THIS DRAWING IS A CONTROLLED DOCUMENT.

DWN: R. VESTAL	24FEB95	TE Connectivity PLUG, 5 CIRCUIT, UNIVERSAL MATE-N-LOK™
CHK: R. SWING	24FEB95	
APVD: D. SELF	24FEB95	
NAME: PRODUCT SPEC		
DIMENSIONS: mm	TOLERANCES UNLESS OTHERWISE SPECIFIED:	APPLICATION SPEC
0 PLC ± -	1 PLC ± -	2 PLC ± 0.13
3 PLC ± -	4 PLC ± -	ANGLES ± 0.30°
MATERIAL: NYLON, UL 94V-2	FINISH: -	WEIGHT: -

CUSTOMER DRAWING

SCALE: 4:1 SHEET 1 OF 1 REV: AC2

METRIC